

# NVR-216S-P16

**36** Months Guarantee

SUPPORTED BY  
  
[www.redka.ir](http://www.redka.ir)



## Key Features

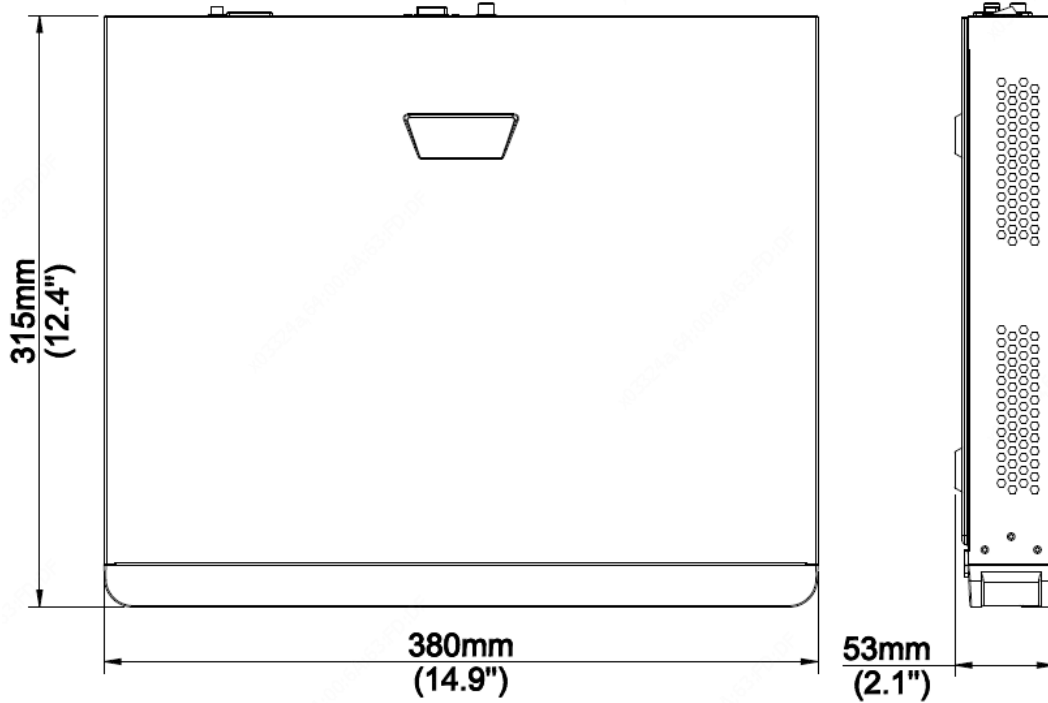
- Support Ultra265/H.265/H.264 video formats
- 8/16-channel input
- Plug & Play with 8/16 independent PoE network interfaces
- Third-party IP cameras supported with ONVIF conformance: Profile S, Profile G, Profile T
- Support HDMI and VGA simultaneous output
- Up to 8 Megapixels resolution recording
- 2 SATA HDDs, up to 10TB for each HDD
- ANR technology to enhance the storage reliability when the network is disconnected
- Support cloud upgrade

## Specifications

Model	NVR-216S-P16
<b>Video/Audio Input</b>	
IP Video Input	16-ch
Two-way Audio Input	1-ch, RCA
<b>Network</b>	
Incoming Bandwidth	160Mbps
Outgoing Bandwidth	96Mbps
Remote Users	128
Protocols	P2P, UPnP, NTP, DHCP, PPPoE
<b>Video/Audio Output</b>	
HDMI/VGA Output	VGA: 1024X768@60, 1280X720@60, 1280X1024@60, 1920X1080@50, 1920X1080@60 HDMI: 4K(3840x2160@30), 4K (3840x2160@60), 1024X768@60, 1280X720@60, 1280X1024@60, 1920X1080@50,

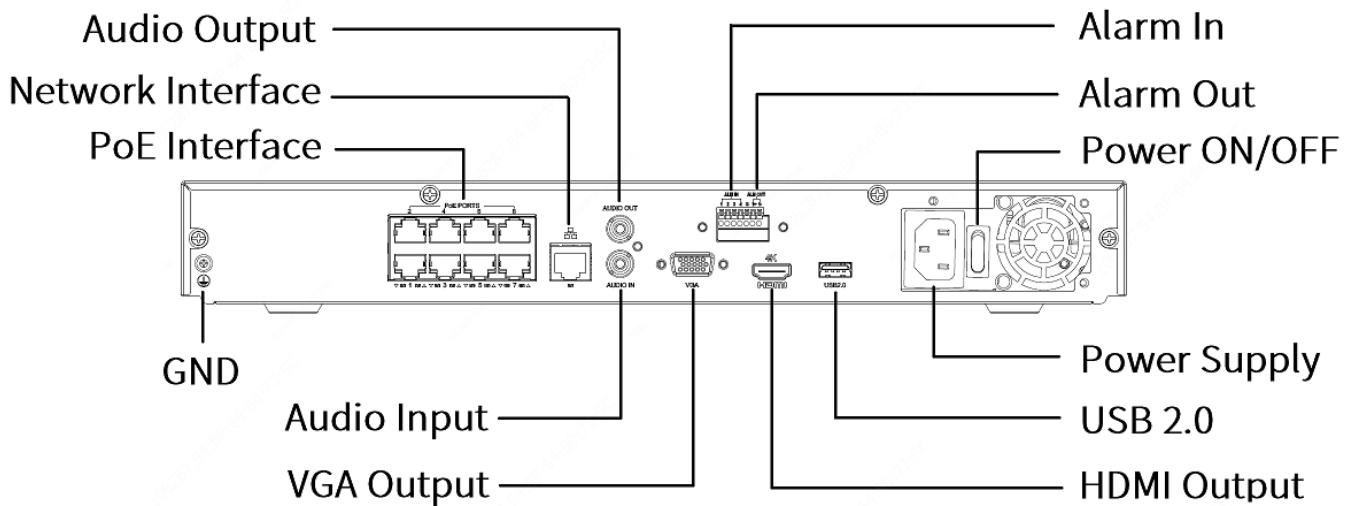
	1920X1080@60
Recording Resolution	8MP/6MP/5MP/4MP/3MP/1080p/960p/720p/D1/2CIF/CIF
Audio Output	1-ch, RCA
Synchronous Playback	16-ch
Corridor Mode Screen	3/4/5/7/9/10/12/16
<b>Decoding</b>	
Decoding format	Ultra265/H.265/H.264
Live view/Playback	8MP/6MP/5MP/4MP/3MP/1080p/960p/720p/D1/2CIF/CIF
Capability	1 x 4K@30, 2 x 4MP@30, 3 x 3MP@25, 4 x 1080P@30, 8 x 720P@30, 16 x D1
<b>Hard Disk</b>	
SATA	2 SATA interfaces
Capacity	up to 10TB for each disk
<b>External Interface</b>	
Network Interface	1 RJ-45 10M/100M/1000M self-adaptive Ethernet Interface
USB Interface	Front panel: 1 x USB2.0, Rear panel: 1 x USB2.0
Alarm In	4-ch
Alarm Out	1-ch
<b>PoE</b>	
Interface	16 independent 100Mbps PoE network interfaces
Max Power	Max 30W for single port Max 240W in total (15W for each)
Supported Standard	IEEE 802.3af/at
<b>General</b>	
Power Supply	220V AC Power Consumption: ≤9 W (without HDD)
Working Environment	-10°C~+ 55°C (+14°F~+131°F), Humidity ≤ 90% RH (non-condensing)
Dimensions (W×D×H)	380mm ×315mm × 53mm (15.0" × 12.4" ×2.1")
Weight (without HDD)	≤2.4kg (5.29lb)

Dimensions



Rear Panel

Take **NVR-208S-P8** for example



[www.uniview.com/uniarch](http://www.uniview.com/uniarch)

©2019 Zhejiang Uniview Technologies Co., Ltd. All rights reserved.

\*Product specifications and availability are subject to change without notice.

